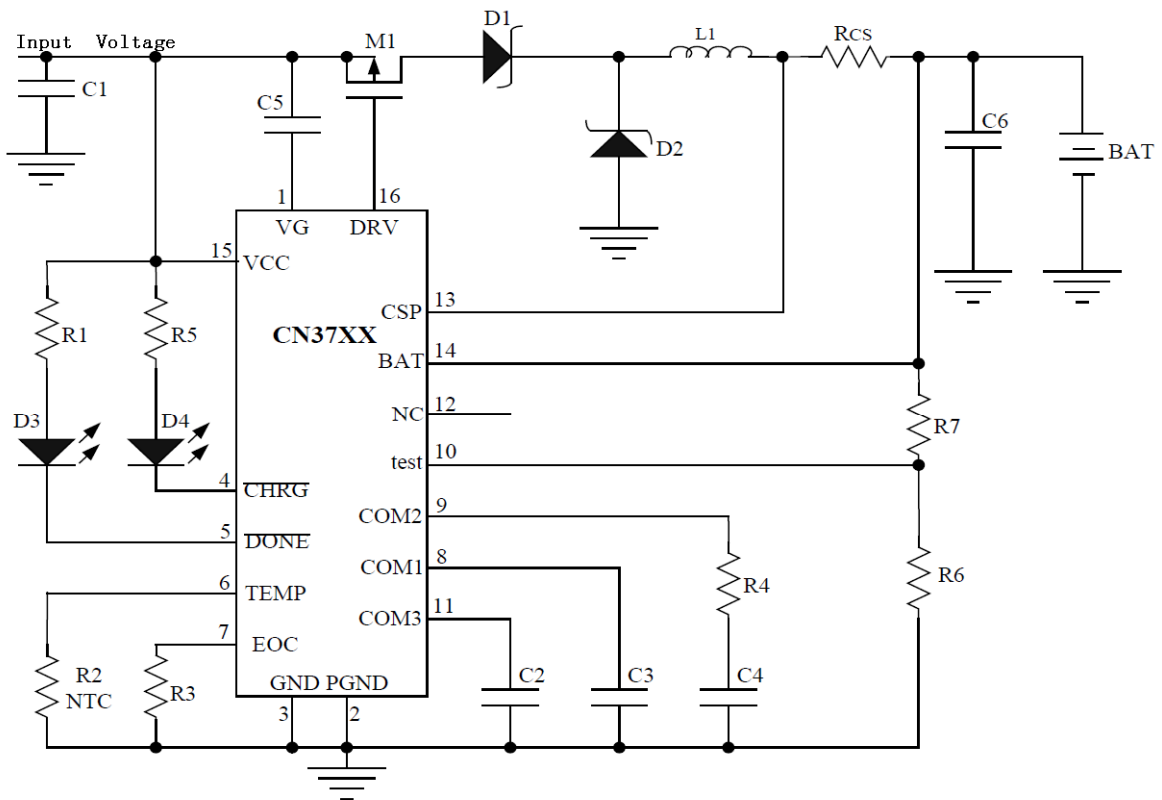


Quick Start of CN37XX Demo Board

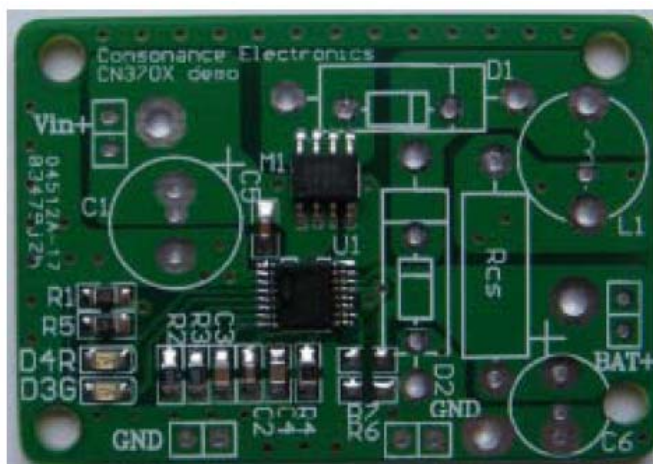
1、 Overview

CN37XX demo board is for the purpose of fast evaluation of CN3702/CN3703/CN3704/CN3705 /CN3717/CN3722.

2、 Schematic of CN37XX Demo Board



3、 PCB Layout of CN37XX Demo Board



4、Component List and Descriptions

No.	Name	Description
1	Vin+	Positive Terminal of Input Power Supply.
2	BAT+	Positive Terminal of Battery.
3	GND	Negative Terminal of Input Power Supply.
4	M1	P channel MOSFET. On one side of the demo board, the footprint of SOP8 package is available, and on the other side of the demo board, the footprint of SOT23-3 is provided. The users can select the right P channel MOSFET based on the operating conditions.
5	U1	The Charge management IC,U1 is one of the CN3702/CN3703/CN3704/CN3705/CN3717/CN3722.
6	D1,D2	Schottky Diodes.
7	D3	LED for charge termination indication.
8	D4	LED for charge indication.
9	L1	Inductor.
10	Rcs	Charge current sense resistor.
11	C1	Input Power Supply Decoupling Capacitor.
12	C2	Ceramic Capacitor, the capacitance value is 100nF.
13	C3	Ceramic Capacitor, the capacitance value is 470pF.
14	C4	Ceramic Capacitor, the capacitance value is 220nF.
15	C5	Ceramic Capacitor, the capacitance value is 100nF.
16	C6	Output Capacitor. Generally, 10uF can meet the requirements.
17	R1, R5	LED current limiting resistor, 1K Ω resistor is used on the demo board.
18	R2	Resistor, 10K Ω resistor is used on the demo board. If the battery temperature monitoring is needed, an NTC resistor should be used to replace the resistor.
19	R3	End-of-charge current setting resistor. 10K Ω resistor is used on the demo board. The users can change the resistor for other end-of-charge current. For CN3722, R3 should be removed and then add an external resistor divider to MPPT pin, for details, please refer to CN3722's datasheet.
20	R4	Resistor, 120 Ω is used.
21	R6	Resistor, please refer to CN3705/CN3717/CN3722's datasheet.
22	R7	Resistor, please refer to CN3705/CN3717/CN3722's datasheet.