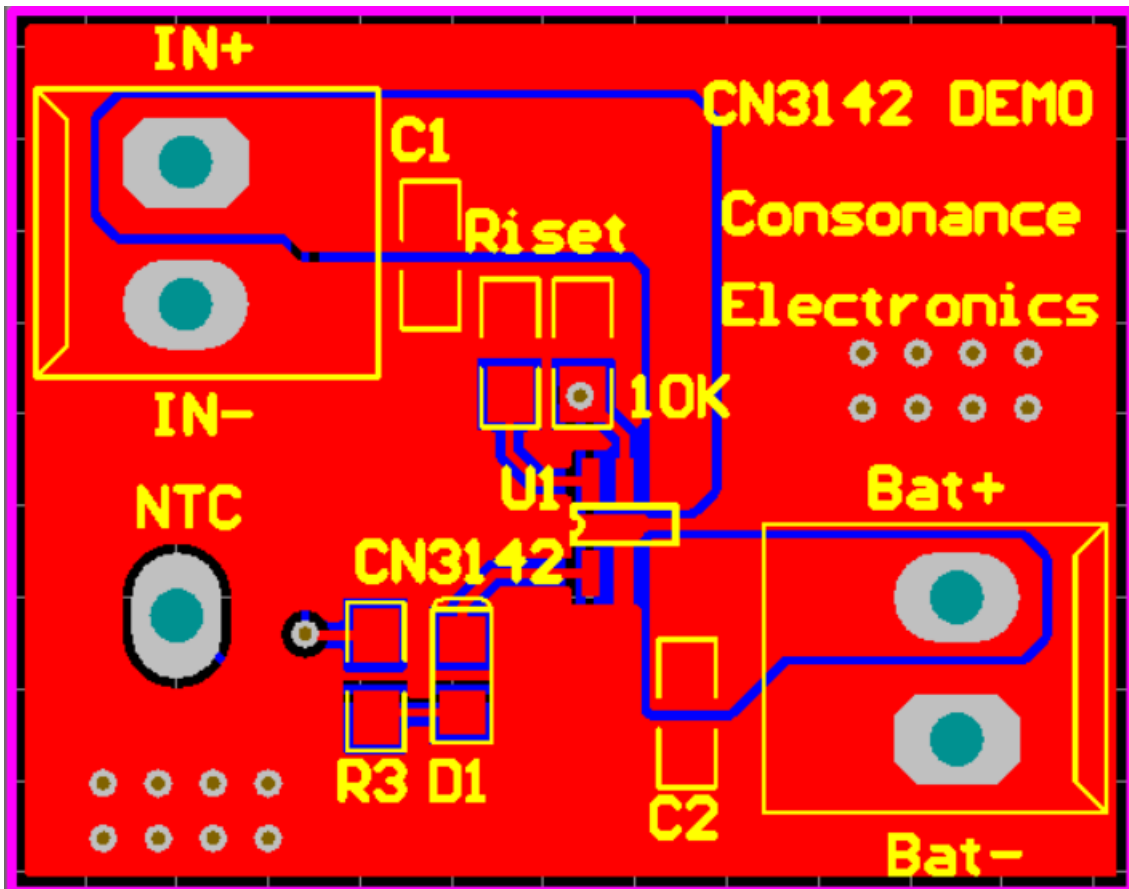


## Quick Start the CN3086 demo board

### 1、 Overview

CN3086 demo board is to meet a variety of circuit design. It can meet the chip type: CN3142, CN3136, CN3086.

### 2、 CN3086 DEMO



### 3、 List and description of basic components

No.	Name	Description
1	IN+	Input power supply.
2	IN-	Input power and battery ground connection terminal.
3	Bat+	Battery positive connecting terminal.
4	Bat-	Battery negative connecting terminal.
5	CN3142	CN3142, CN3136, CN3086
6	Riset	Charging current setting resistors, ICH = 502V / RISET
7	R3	Charge display current limiting resistor, welding when needed.

---

8	10k	Temperature monitoring shield resistor. When battery temperature monitoring is not required, a 10k resistor needs to be welded. If battery temperature monitoring is required, welding is not necessary.
9	C1	Input capacitance.
10	C2	Output capacitance.
11	D1	Charging display diode
12	NTC	Battery temperature detection NTC resistor connection terminal. Connect a 10k thermistor with a negative temperature coefficient at 25 degrees Celsius.